

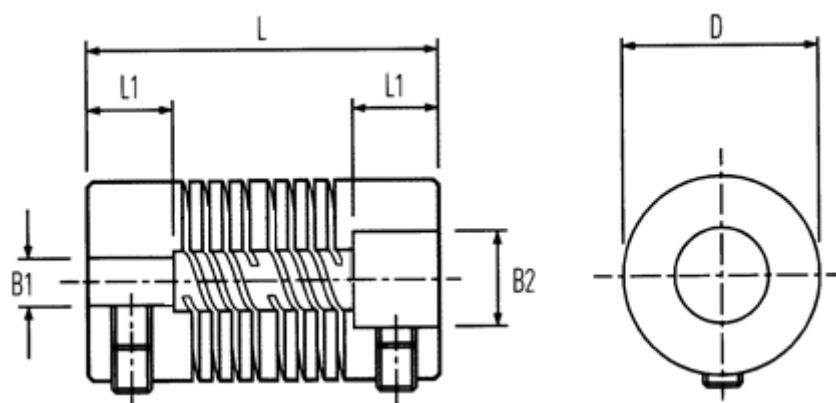
# Data Sheet



Article number: 339702090000

Description: Multibeam 6 Coupling 702.09.0000  
St. steel & set screw hubs

## Measures



B1: Pre-drilled	= 2.0
B2: Pre-drilled	= 4.00
D	= 9.5
L	= 19.6
L1	= 5.3
Max angular displacement	= 0.12
Max B1 & B2	= 4.76
Max parallel displacement	= 3

Peak Torque NM	= 1.50
Set Screw	= M2,5